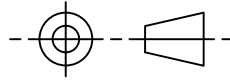


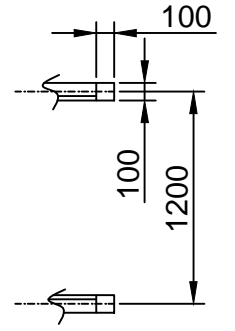
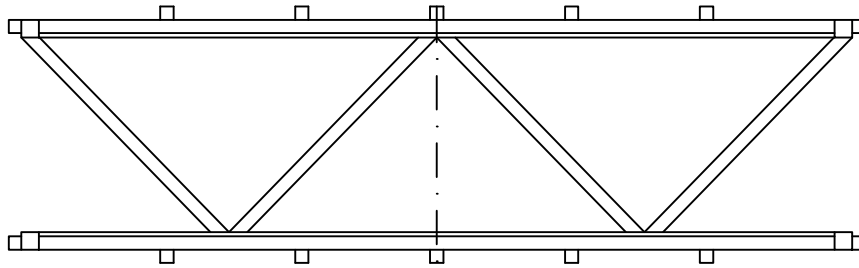
DRAWING NO.

CROSS BRACING

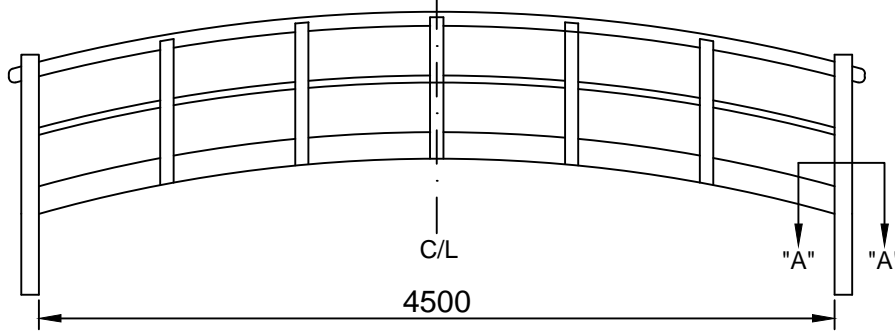
IF IN DOUBT - ASK!



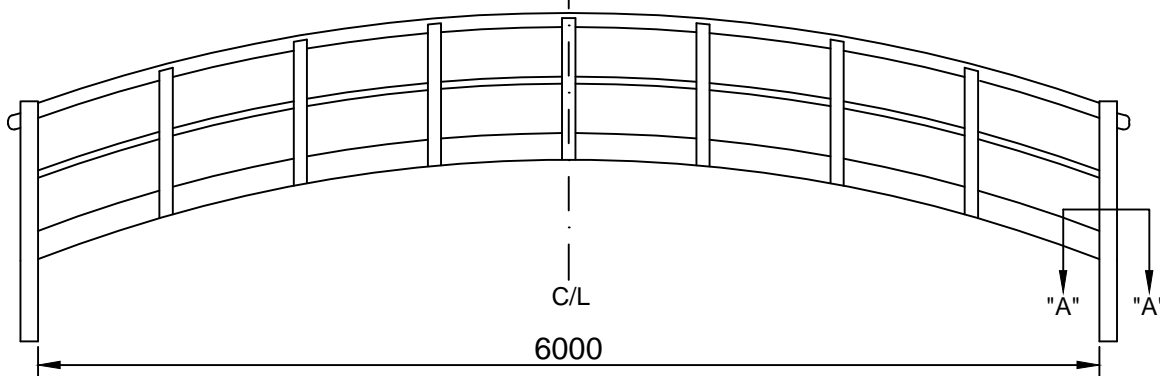
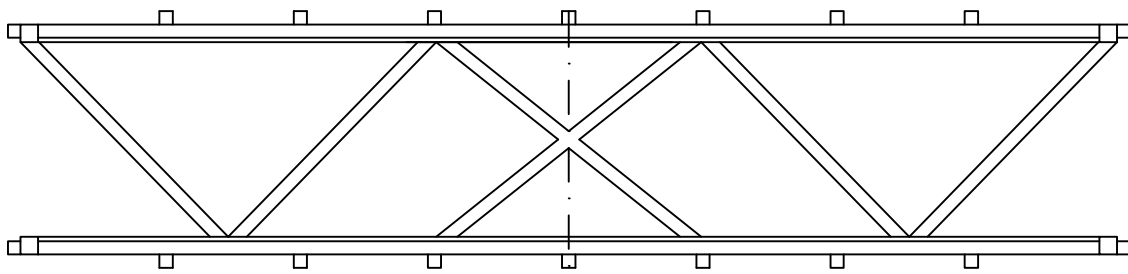
DO NOT SCALE



SECTION "A" - "A"



CROSS BRACING - 4.5M (15 FOOT) TO 6M (20 FOOT) SPAN



CROSS BRACING - OVER 6M (20 FOOT) SPAN



COULSON'S BRIDGES
THE BARN, UPPER HOLTON,
HALESWORTH,
SUFFOLK, IP19 8QP

TEL: +44 (0)1986 875016
MOB: +44 (0)7920 050825
Email: sales@coulsonsbridges.co.uk
Web: www.coulsonsbridges.co.uk

ISSUE	1																			
DATE																				
MOD. No.																				

SCALE
NOT TO SCALE

ORIGINAL
DATE
25/08/15

THIS DRAWING IS THE PROPERTY OF COULSON'S BRIDGES. COPYRIGHT IS STRICTLY RESERVED.
IT MAY NOT BE REPRODUCED OR COPIED IN WHOLE OR IN PART NOR ANY OF ITS CONTENTS BE REVEALED TO
ANY THIRD PARTY WITHOUT PRIOR AUTHORITY. IT IS RETURNABLE ON DEMAND.

DIMENSIONS IN MILLIMETRES

A
3